



Coonan Classic
.357 Magnum
Automatic Pistol

CAUTION
READ AND UNDERSTAND THE
INSTRUCTIONS AND
WARNINGS IN THIS MANUAL
BEFORE HANDLING OR USING
THIS PISTOL.

OPERATOR'S MANUAL

Table of Contents

Owner's Manual	1
Owner's Record.....	3
Introduction.....	3
Ammunition.....	4
Break In Period.....	5
Know Your Weapon.....	6
Right Side.....	6
Left Side	6
Operation.....	7
Loading Magazine	7
Loading Magazine with Loading Pin.....	7
Loading Magazine without Loading Pin.....	8
Preparing to Fire.....	8
Firing.....	10
Unlocking / Decocking	11
Unloading	11
Malfunctions / Jams.....	12
Disassembly	14
Field Stripping (Disassembly).....	14
Cleaning	19
Service / Repair	20
Specifications	20
Warranty.....	21
Replacement Part Numbers List.....	22
Expanded Weapon Illustration.....	23
Basic Rules for Firearms Handling	24
Notes.....	26

TREAT EVERY GUN AS IF IT IS LOADED...ALL THE TIME

Owner's Record

Fill out the information below for your future reference and in case of warranty or repairs.

Model:	
Serial Number:	
Date of Purchase:	
Purchased From:	

Introduction

FIREARMS SAFETY – YOUR RESPONSIBILITY

SAFETY MUST BE THE FIRST AND CONSTANT CONSIDERATION OF EVERY PERSON WHO HANDLES FIREARMS AND AMMUNITION.

This Instruction Manual is designed to assist you in learning how to use and care for your Coonan Inc. pistol properly.

Only when you are certain that you fully understand the manual and can properly carry out its instructions should you practice loading, unloading, etc. with live ammunition.

If you have any doubts about your ability to handle or use a particular type of gun safely, you should seek supervised instruction.

The person with a gun in their possession has a full-time job. They cannot guess; they cannot forget. They must know how to use their firearm safely. Do not use any firearm without having a complete understanding of its particular characteristics and safe use. There is no such thing as a foolproof gun.


TREAT EVERY GUN AS IF IT IS LOADED...ALL THE TIME

Introduction (cont')

FIREARMS ARE DANGEROUS WEAPONS – READ THE INSTRUCTIONS AND WARNINGS IN THIS MANUAL THOROUGHLY AND CAREFULLY BEFORE USING THIS FIREARM.

ALTERATION WARNING

Coonan, Inc. will not be responsible for any alteration of any part of this firearm after it leaves our control, or for the addition or substitution of parts or accessories not manufactured by Coonan, Inc. This product was designed to function properly in its original condition. Any changes made in this product are specifically contrary to our instructions and we expressly do not authorize any changes to be made after manufacture. Do not jeopardize your safety or the safety of others by making modifications to your firearm.

 **WARNING!** Careless handling of this pistol could result in unintentional discharge causing injury, death, or damage to property.

 **WARNING! READ THIS MANUAL COMPLETELY BEFORE USING THIS PISTOL.**

NOTE: Throughout these instructions the names of parts have been CAPITALIZED. This was done to permit easy recognition from the parts list and exploded view. See Pages 22 and 23.

Ammunition

AMMUNITION WARNING

Firearms may be damaged and death or serious injury to the shooter or other persons may result from any condition which contributes to the generation of excessive pressure or the uncontrolled release of gas within a firearm. The foregoing adverse conditions can be caused by bore or chamber obstructions, propellant powder overloads or defective, incorrect or improperly loaded and assembled cartridge components.

It is extremely dangerous to use a cartridge whose pressure is greater than that developed by cartridges loaded to Industry Standards. Even the strongest firearm can be blown up as a result of excessive pressure.

EYESIGHT WARNING

Cartridge cases are made of a relatively soft and thin metal, and must contain high pressure. A burst or leaky case could release gas or fragments of metal which could injure the shooter's eyes. Therefore, **always wear shooting glasses or protective eyewear.**

TREAT EVERY GUN AS IF IT IS LOADED...ALL THE TIME

Ammunition (cont')

The Coonan .357 Magnum Semi-Automatic Pistol is designed to use only caliber .357 Magnum ammunition manufactured in accordance with U.S. Industry Standards, established by SAMMI – Sporting Arms and Ammunition Manufacturers Institute.

NOTICE

WE SPECIFICALLY DISCLAIM RESPONSIBILITY FOR ANY DAMAGE OR INJURY WHATSOEVER OCCURRING IN CONNECTION WITH, OR AS A RESULT OF, THE USE IN THE COONAN PISTOL OF FAULTY, OR NON-STANDARD, OR “RE-MANUFACTURED”, OR HAND-LOADED (RELOADED) AMMUNITION, OR OF CARTRIDGES OTHER THAN THOSE FOR WHICH THE FIREARM WAS ORIGINALLY CHAMBERED.

.357 MAGNUM

The standard recoil spring is a 22 lb. spring. The Coonan pistols are factory sprung to function with 125 gr. and 158 gr. JACKETED ammunition. As with any semi-automatic pistol, some types of ammunition will cycle better than others. The use of “mild lead loads”, “cowboy loads” or any other low powered ammunition will not allow the pistol to function normally with the factory installed recoil spring.

.38 SPECIAL

A 10 pound spring is supplied with the firearm for use with .38 Special ammunition. We recommend using .38 +P or .38 Special ammunition. The firearm may not cycle with .38 Special ammunition until broken in (approximately 200 rounds).

 **WARNING! DO NOT USE THE 10 LB. SPRING WITH .357 MAGNUM AMMUNITION.**

 **WARNING! DO NOT MIX .38 SPECIAL AND .357 MAGNUM AMMUNITION IN THE SAME MAGAZINE.**

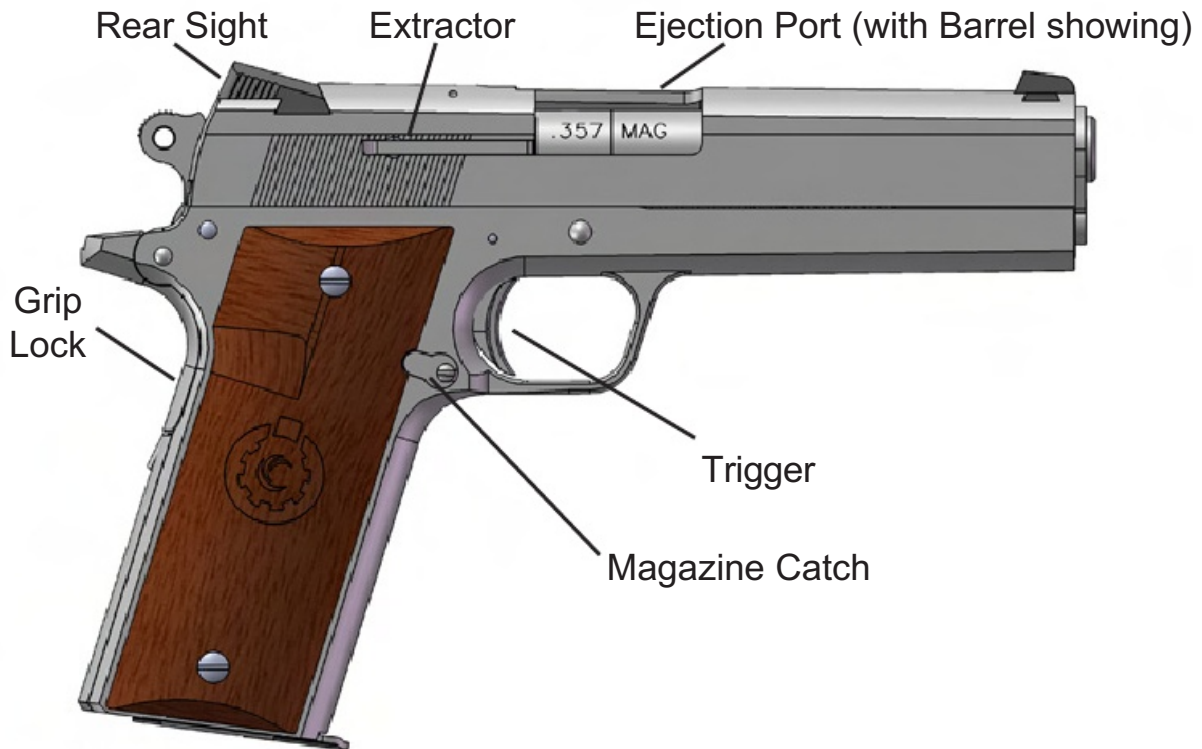
Break-In Period

For the firearm to be broken in, between 200-500 rounds should be cycled. Always ensure that the SLIDE and FRAME rails, as well as the top and muzzle end of the BARREL are adequately lubricated. Coonan, Inc. recommends FP-10 lubricant by Shooter’s Choice Gun Care Products.

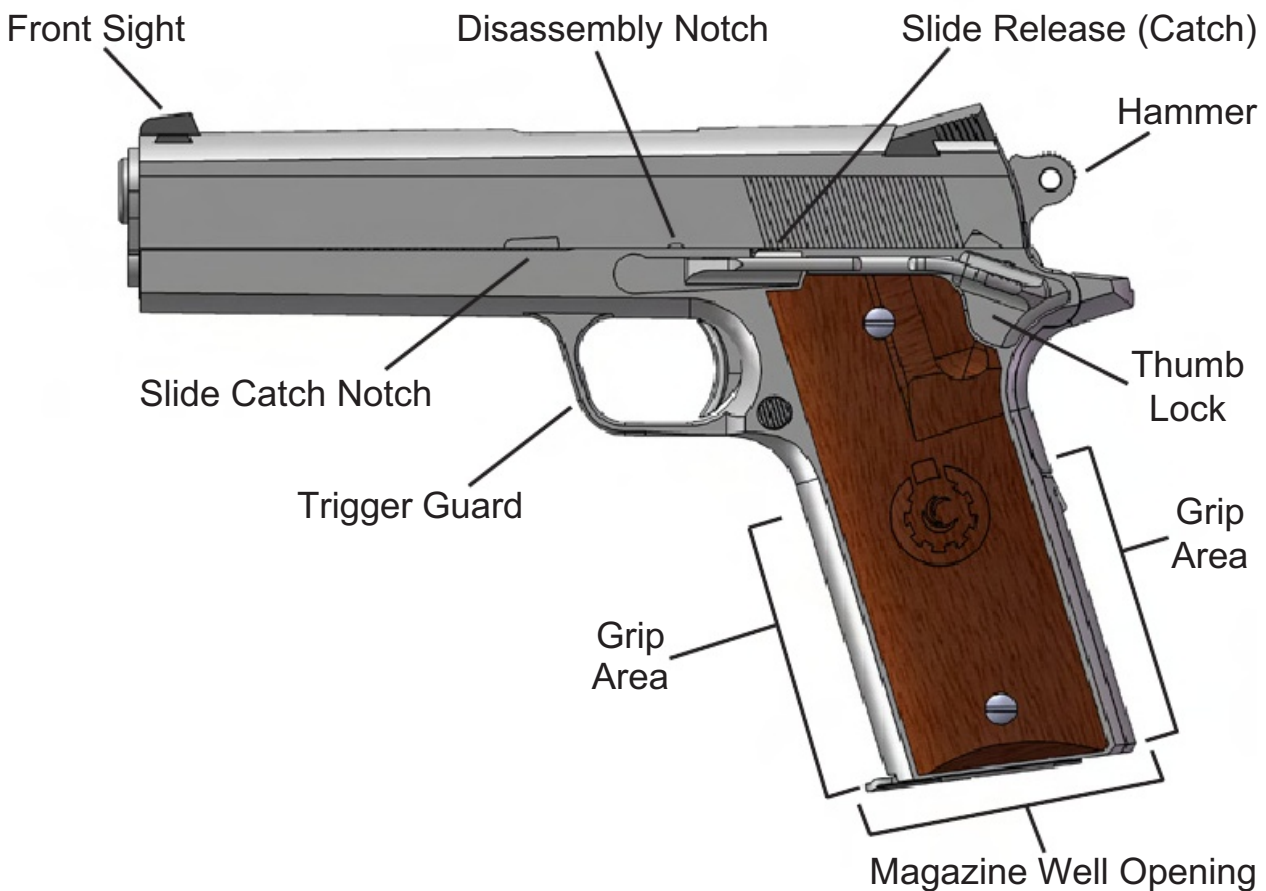
TREAT EVERY GUN AS IF IT IS LOADED...ALL THE TIME

Know Your Weapon

Right Side




Left Side



TREAT EVERY GUN AS IF IT IS LOADED...ALL THE TIME

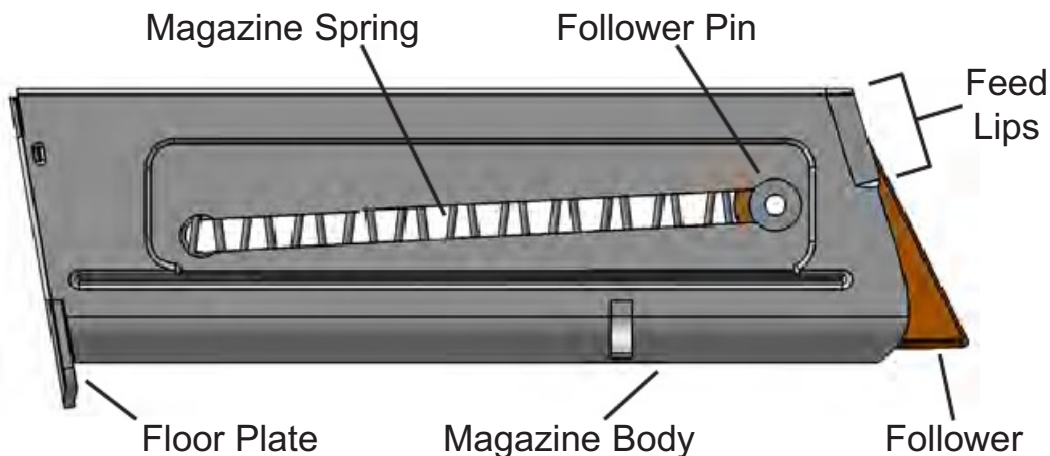
Operation

Loading Magazine

 **WARNING!** Practice these steps with an unloaded pistol or dummy ammo until you are completely familiar and comfortable with the procedures. Use live ammo only when you are prepared to shoot. Always use clean, dry, high quality ammunition (of the proper caliber) that meets industry performance standards.


NOTE: Do not attempt to bend magazine lips. The metal has been heat treated and may crack.

NOTE: The magazine holds seven (7) rounds of .357 Magnum ammunition.



Loading Magazine with Loading Pin

- 1) Insert MAGAZINE LOADING PIN through hole in MAGAZINE FOLLOWER PIN.
- 2) Depress FOLLOWER until it almost bottoms out.
- 3) Hold FOLLOWER in this position and insert seven cartridges one at a time, base first, toward magazine lips. Allow them to fall to rest atop FOLLOWER.
- 4) Gently release LOADING PIN, allowing FOLLOWER to rise, pushing cartridges up under feed lips.

 **WARNING!** When using the MAGAZINE LOADING PIN, have it under control. Do not pull it down and release it suddenly. Release MAGAZINE PIN gradually and allow FOLLOWER to rise.

- 5) Inspect top cartridge to ensure bullet is pointing forward and tilted upward.

TREAT EVERY GUN AS IF IT IS LOADED...ALL THE TIME

Operation (cont')

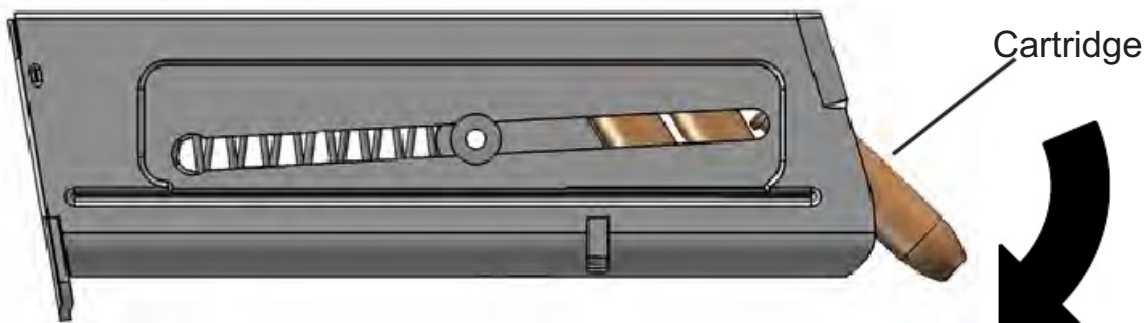
Loading Magazine without Loading Pin

- 1) Place cartridge base down on top of follower in front of magazine lips and press down firmly.
- 2) When cartridge has been pushed down about 3/8" below the feed lips, push the cartridge to the rear of the magazine.

Thumb in the first 4 or 5 rounds just like loading a 1911 mag. After that, position the next round in the classic stovepipe position, with the rim right in front of the feed lips. Push the round straight down, moving the loaded rounds down. Tip the round being loaded forward at the top, and sliding the rim to the rear, under the feed lips. This movement almost happens by itself after a few practice runs. Repeat until the magazine is loaded.

The floorplate can rest against a flat surface of almost any kind.

NOTE: Holding the MAGAZINE FOLLOWER PIN will aid in this process.



Preparing to Fire

⚠ WARNING! READ THIS SECTION COMPLETELY AND THOROUGHLY BEFORE ATTEMPTING ANY OPERATIONS.

⚠ WARNING! KEEP PISTOL POINTED IN A SAFE DIRECTION.

⚠ WARNING! KEEP FINGER OFF TRIGGER.

⚠ WARNING! WEAR EYE AND EAR PROTECTION.

BORE OBSTRUCTIONS WARNING

Before loading or firing the pistol, examine the bore to be certain it is clear and unobstructed. Firing the pistol with any obstruction in the bore – even a heavy coating of oil or drops of water – may result in damage to the gun and injury to the shooter and other persons nearby.

TREAT EVERY GUN AS IF IT IS LOADED...ALL THE TIME

Operation (cont')

Preparing to Fire (cont')

A misfire or unusual report (sound) upon firing is always a signal to cease firing and immediately examine the chamber and bore. If there is any obstruction, full or partial, clear the obstruction with a cleaning rod and bore brush before firing the gun.

- 1) Pull SLIDE to the rear – inspect chamber to be sure chamber is empty.
- 2) Lock SLIDE open using SLIDE CATCH.
- 3) Insert MAGAZINE into magazine well in base of grip. Push MAGAZINE upward until MAGAZINE CATCH engages.
- 4) Push SLIDE CATCH down, allowing the SLIDE to move forward freely under its own power.

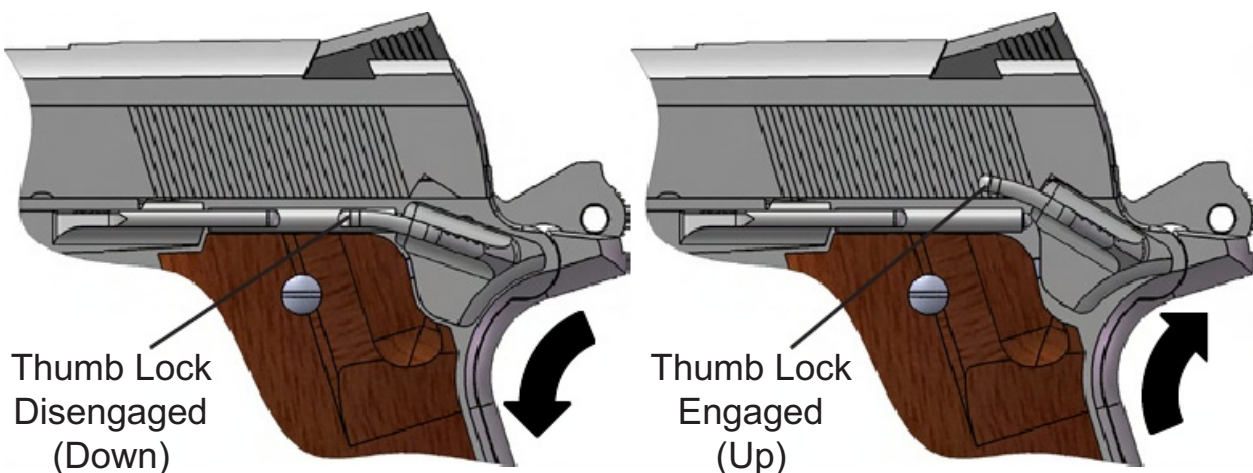


WARNING! THE PISTOL IS NOW LOADED AND READY TO FIRE.

- 5) Push THUMB LOCK up until it is positively engaged if pistol is not to be fired immediately. Push THUMB LOCK down when ready to fire. ALWAYS KEEP FINGERS OFF THE TRIGGER WHEN MOVING THE THUMB LOCK UP (ENGAGED) OR DOWN (DISENGAGED).

LOCKING DEVICES

- 1) A GRIP LOCK is designed so the pistol has to be held firmly and the GRIP LOCK depressed in order for the TRIGGER and TRIGGER BAR to unlock.
- 2) A THUMB LOCK is located just above the GRIP LOCK at the left side of the FRAME. When engaged, the THUMB LOCK blocks movement of the SEAR and HAMMER. It must be lowered in order to fire the pistol.



TREAT EVERY GUN AS IF IT IS LOADED...ALL THE TIME

Operation (cont')

HALF-COCK WARNING

Although the HAMMER has a half-cock position, this is NOT a "SAFETY". Its purpose is to act as a backup for the SEAR and provide insurance that the pistol will not go into an uncontrollable automatic fire. It also provides that should the HAMMER slip during cocking, the FIRING PIN will not be struck.

HANDLING WARNING

Do not load the pistol until you are ready to use it, and unload it immediately when you have completed shooting. (See also "Unloading Warning" on Page 12)

Exercise utmost care and caution at all times when handling any firearm. The firearm should be carried and handled so that it will not be dropped or struck. With the THUMB LOCK off (in the down position), the pistol is in the ready-to-fire mode. Therefore, as with any firearm, any blow or jar which is of sufficient force to actuate components of the firing mechanism (TRIGGER or HAMMER or SEAR or FIRING PIN) may cause a chambered cartridge to discharge. Such a discharge can occur with or without the TRIGGER being directly struck or touched.

The user should never depend on a safety mechanism or any mechanical device to justify careless handling or permitting the pistol to point in an unsafe direction. The shooter should always be alert to the possibility of accidental discharge regardless of the position of the THUMB LOCK or GRIP LOCK. The only safe pistol is one in which the SLIDE is open, the chamber is empty, and there is no magazine in the gun.

Firing

- 1) Aim pistol at intended target
- 2) Grip firmly, depressing GRIP LOCK.
- 3) Move THUMB LOCK down to fire position.
- 4) Slowly pull TRIGGER to the rear.

FIRING WARNING

When firing the pistol, be sure that other shooters and bystanders are well clear of the shooter and a safe distance to the rear. Empty cartridge cases are ejected from the pistol with some velocity and could cause injury to any person who is standing in their path. Left-handed shooters should be particularly cautious concerning ejected cartridge cases and powder. All shooters should wear shooting glasses or protective eyewear and hearing protection when firing the Coonan pistol.

Operation (cont')

The SLIDE of the semi-automatic pistol moves rearward forcefully and at high speed when the gun is fired. Do not position your face, hands, or any part of your body so the SLIDE can strike you when the gun is fired.

Unlocking / Decocking

If the pistol is cocked and you want to let the HAMMER down, proceed as follows:

DECOCKING WARNING

Never attempt to decock a gun without performing the following steps to remove the MAGAZINE and clear the chamber! Keep the gun pointed in a safe direction at all times!

- 1) Remove MAGAZINE.
- 2) Grip the SLIDE and pull all the way back. When the SLIDE is all the way back, push the SLIDE CATCH up while allowing the SLIDE to return slightly forward. This will allow the SLIDE CATCH to hold the SLIDE open and back and eject any cartridge that may be in the chamber.
- 3) With the SLIDE held open and back by the SLIDE CATCH, check the chamber to ensure that it is empty. Check the chamber again to ensure that it is empty.
- 4) After ensuring that the chamber is empty, allow the SLIDE to gently return to the closed position by grasping the SLIDE firmly with one hand and the FRAME with the other, and push down on the SLIDE CATCH.
- 5) When the MAGAZINE has been removed, the chamber cleared, the gun cocked and the SLIDE closed, point the pistol in a safe direction and depress the TRIGGER allowing the HAMMER to fall.

Unloading

NOTE: THE MAGAZINE IS HELD IN THE PISTOL UNDER SPRING TENSION. PLACE HAND BENEATH MAGAZINE TO CATCH IT AS IT IS RELEASED. DO NOT ALLOW IT TO DROP ON HARD SURFACES.

- 1) Depress the MAGAZINE CATCH and remove the MAGAZINE.
- 2) Pull SLIDE fully to rear and manually engage SLIDE CATCH.
- 3) Check the chamber to ensure that it is empty.

TREAT EVERY GUN AS IF IT IS LOADED...ALL THE TIME

Operation (cont')



UNLOADING WARNING! Removing the magazine from the pistol does not prevent the pistol from being fired! When there is a cartridge in the chamber and the THUMB LOCK is “off”, the cartridge will discharge if the trigger is pulled. It is absolutely essential for the user of the firearm to know how to completely unload it.

“Completely” means first removing the magazine and then removing a chambered cartridge. The THUMB LOCK should always be “on” or in the “up” position while removing the MAGAZINE if the HAMMER is cocked. Keeping fingers away from TRIGGER, lower THUMB LOCK, pull SLIDE to rear and lock open using SLIDE CATCH, then check to insure chamber is empty.

Malfunctions / Jams

MALFUNCTION WARNING

The .357 magnum cartridge has its sensitive priming compound in the primer within the center of the cartridge case head. It is fired by impacting of the firing pin against the relatively soft primer which detonates the priming compound. Any crushing of the primer can cause a cartridge to ‘discharge’

before it is chambered if the primer receives a sharp blow from any source. For that reason, the user of a firearm must regard any jam or feeding problem as a signal to immediately stop using the gun until it can be determined what is wrong.

If a cartridge hangs up, jams, or binds when being hand chambered or when being fed from the magazine into the chamber, do not attempt to force it into the chamber by pushing or striking the slide.

Most failures of a cartridge to feed or to chamber are caused by a damaged magazine, improper gun handling or defective ammunition.

Always wear shooting glasses or protective eyewear and hearing protection!

- 1) Be certain the muzzle is pointed in a safe direction because the THUMB LOCK is in the “off” or “down” position and cannot be applied.
- 2) If possible, first remove the MAGAZINE. It may be necessary to manually remove a jammed cartridge which has only partially been stripped from the MAGAZINE from the gun. If so, use extreme care. Lock the SLIDE open with the SLIDE CATCH before attempting to clear the jam. Drawing the SLIDE fully to the rear may bring the jammed cartridge along. KEEP YOUR FACE AWAY FROM THE EJECTION PORT DURING THIS OPERATION.

TREAT EVERY GUN AS IF IT IS LOADED...ALL THE TIME

Malfunctions / Jams (cont')

- 3) Visually check to make sure all cartridges have been removed from the pistol. Safely dispose of any cartridges involved in a malfunction incident. Do not use damaged ammunition in any firearm.
- 4) If it appears that the gun and MAGAZINE are not at fault and that the jam was caused by the type of cartridge being used, try another type of cartridge.
- 5) If changing to another type or brand of cartridge does not at once result in smooth feeding of cartridges from magazine to chamber, then the following steps should be taken.
 - a) Make certain the gun and the magazine are unloaded. Remember, the magazine must be removed first. Check the chamber to be certain it and the magazine-well are clear of cartridges.
 - b) Thoroughly clean the magazine, paying particular attention to removing accumulated grease. Thoroughly clean the breech mechanism of the firearm. Use a bristle brush and solvent to remove grease and fouling from the breech face, the extractor, the chamber and the feed ramp. (See "Field Stripping (Disassembly)" on Page 14 for disassembly and "Cleaning" on Page 19 for cleaning instructions.)
 - c) Check to see that the magazine spring tension is adequate.
 - d) Check the magazine lips to be certain they are free of nicks and burrs and are not deformed, cracked or broken.

NOTE: Do not attempt to bend magazine lips. The metal has been heat treated and may crack.

- e) Remove excess oil and solvent from all cleaned components, load the magazine and try the firearm again. As always, proceed slowly. Be certain bystanders are not close, that you are wearing protective eyewear and hearing protection, and your face is a safe distance from the pistol. This will help to ensure a discharge incident resulting from a jammed cartridge will not injure anyone.

If the above procedures do not result in a smooth and reliable feeding firearm, the pistol can be returned directly to the factory for repair. See "Service / Repair" on Page 20 for packing and shipping details.

Another precaution: When using any firearm, form the habit of examining fired cartridge cases from time to time. If fired cases show splits or bulges on any part of the case, the pistol should be returned to the factory for inspection.

TREAT EVERY GUN AS IF IT IS LOADED...ALL THE TIME

Disassembly

 **WARNING!** Never clean, lubricate, disassemble, assemble or work on a firearm while it is loaded.

Field Stripping (Disassembly)

Disassembly of the COONAN .357 Magnum is easy and follows quite closely the guidelines of the original military M1911.45 automatic.

NOTE: Never use force when disassembly is necessary.

See “Replacement Part Numbers List” (Page 22) for names and “Expanded Weapon Illustration” (Page 23) for location of parts.

 **WARNING!** Always check to be positive pistol is unloaded before disassembly is started. **CHECK AND CHECK AGAIN.**

Take parts from gun one at a time and lay in order in front of you left to right. Reassembly will be much easier now by simply reversing the following procedure:

- 1) Remove MAGAZINE. Pull SLIDE to the rear and engage SLIDE CATCH. Inspect chamber to ensure that it is empty.
- 2) Release SLIDE CATCH and allow SLIDE to go fully forward.



Figure 1: Magazine Removal

Disassembly (cont')

- 3) Point pistol away from your or any bystander's face. Then push RECOIL PLUG inward. Keeping RECOIL PLUG pushed inwards, turn BARREL BUSHING to the right (clockwise as viewed from front) until RECOIL PLUG is free to move forward.


 **WARNING!** The RECOIL PLUG is under heavy spring tension. If released, it can spring out of the firearm and cause bodily harm. Release the tension on the RECOIL PLUG slowly so that it does not spring out. Keep pistol pointed away from you or any bystander.



Figure 2: Recoil Plug Depression



Figure 3: Barrel Bushing
Clockwise Rotation

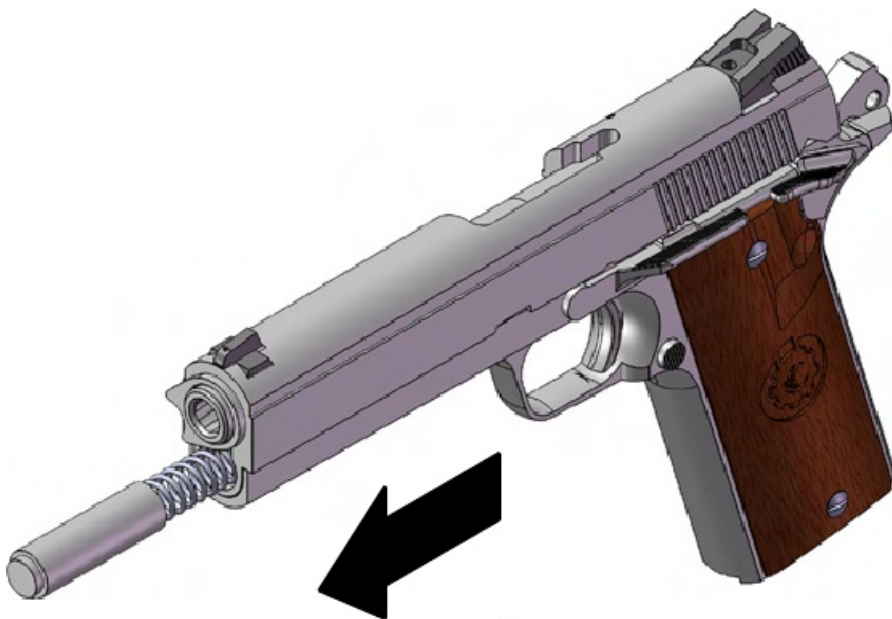


Figure 4: Recoil Plug Removal

TREAT EVERY GUN AS IF IT IS LOADED...ALL THE TIME

Disassembly (cont')

- 4) Pull SLIDE back until disassembly notch on SLIDE lines up with rear end of SLIDE CATCH. The SLIDE CATCH is able to pass under the SLIDE and out of the FRAME only at this point. Push against the end of the SLIDE CATCH which projects from the opposite side of the FRAME, above the trigger guard. With SLIDE CATCH pushed to its fully downward position, withdraw catch.



Figure 5a: Slide Catch Notch Alignment

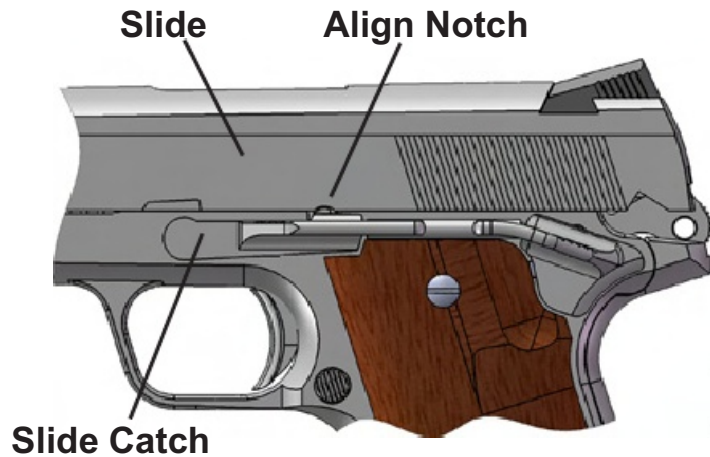


Figure 5b: Slide Catch Alignment - Close Up



Figure 6: Slide Catch Removal

Disassembly (cont')

- 5) Move SLIDE forward, removing SLIDE, BARREL, BARREL BUSHING, RECOIL SPRING, SPRING PLUG and RECOIL SPRING ABSORBER TUBE.
- 6) Remove the SPRING and RECOIL ABSORBER TUBE.

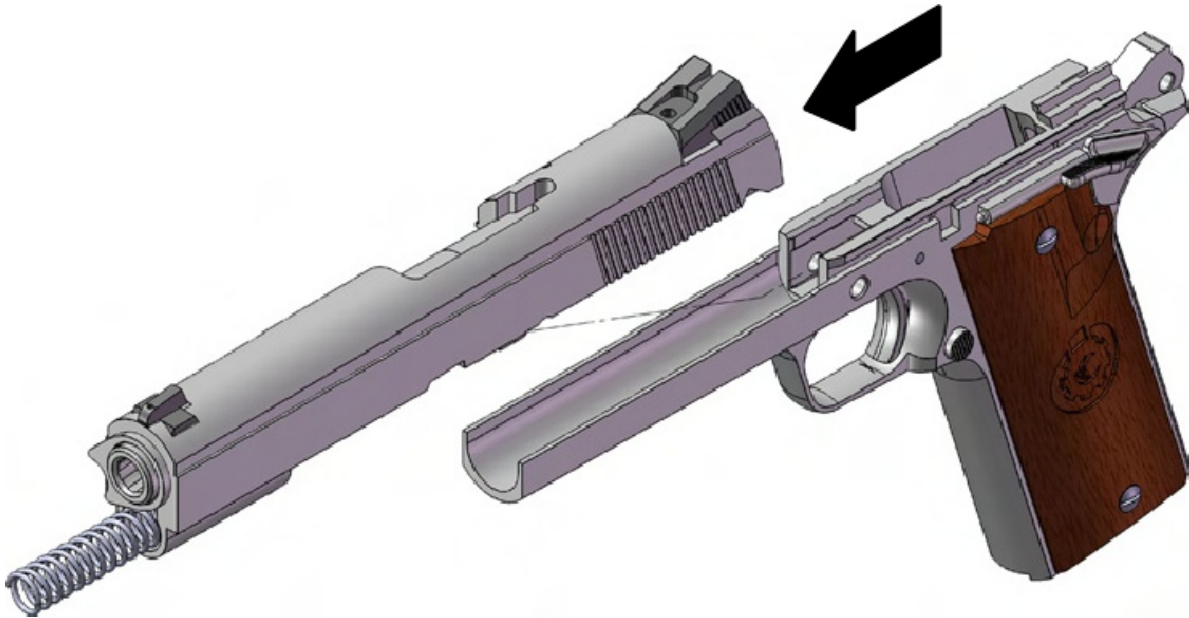


Figure 7: Slide Assembly and Component Removal

- 7) Push BARREL forward approximately $\frac{1}{4}$ ". Turn the BARREL BUSHING to the left (counter-clockwise as viewed from the front) as far as it will go and withdraw it forward from the slide.

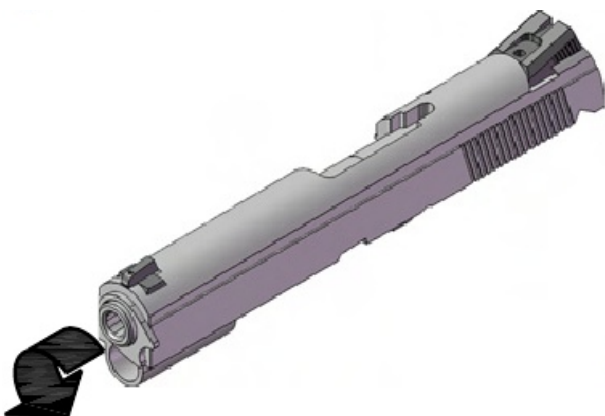


Figure 8: Barrel Bushing Counter-Clockwise Rotation

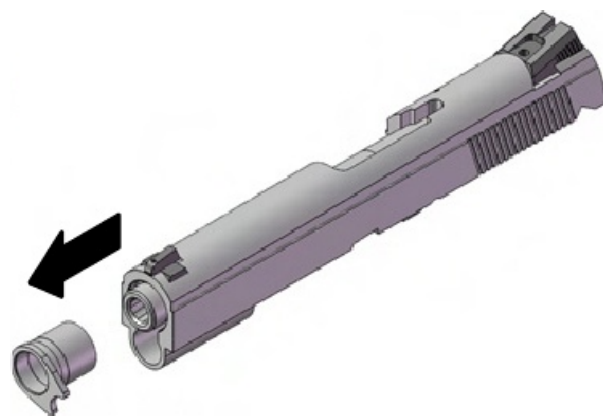


Figure 9: Barrel Bushing Removal

Disassembly (cont')

8) Withdraw the BARREL from the SLIDE.

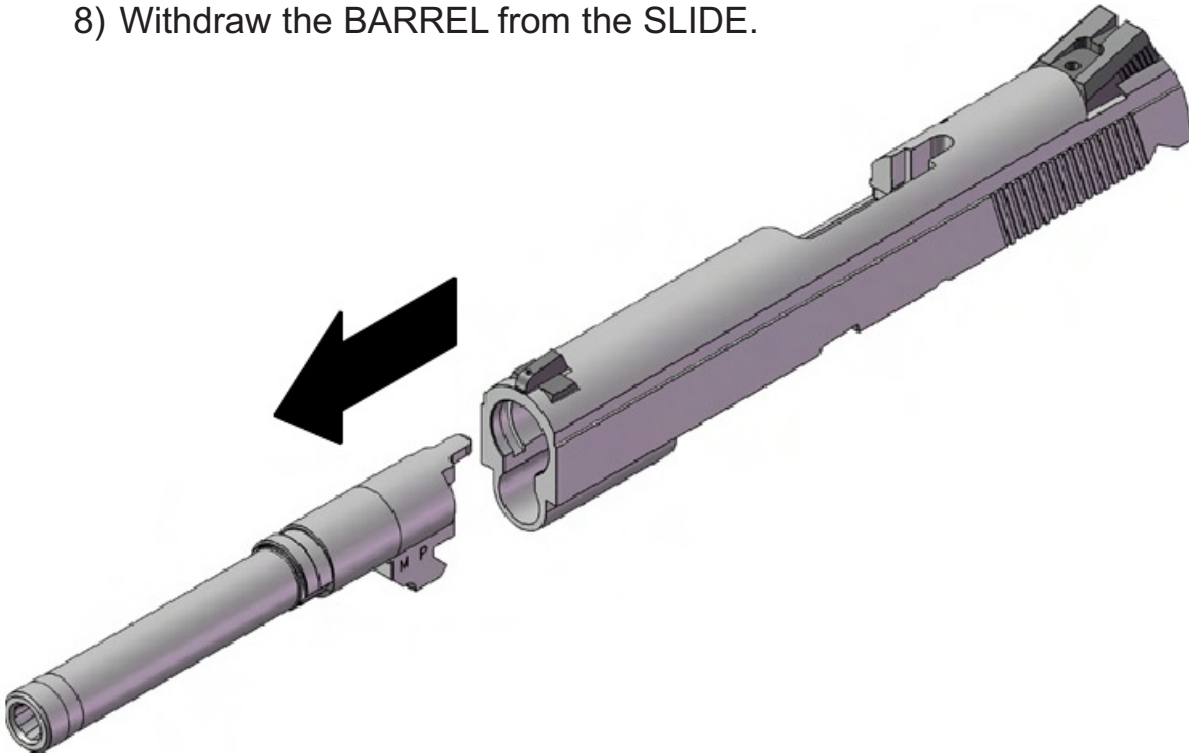


Figure 10: Barrel Removal

REASSEMBLY IS IN REVERSE ORDER OF ASSEMBLY.

Tips on reassembly:

After the BARREL, BARREL BLUSHING and associated parts are reassembled into the SLIDE, run the SLIDE onto the FRAME. Continue to move the assembly to the rear until the BARREL underlug passes beyond the slide stop shaft hole in the FRAME and the BARREL stops in its rearmost position. Install the SLIDE CATCH making sure SLIDE CATCH is snapped into place under slide assembly notch in SLIDE.

 **WARNING!** Keep pistol pointed away from you or any bystander when compressing RECOIL SPRING to install RECOIL PLUG.

Reassemble RECOIL SPRING, RECOIL PLUG, AND BARREL BUSHING.

Cleaning

NOTE: Most malfunctions of pistols (semi-automatic handguns) are directly attributed to lack of cleaning.



WARNING! Always check to be positive pistol is unloaded before cleaning or disassembly is started. **CHECK AND CHECK AGAIN!**

- 1) Disassemble pistol as described on Pages 14-18.
- 2) From the chamber end of the barrel, run a cleaning rod with solvent soaked patch through several times.
- 3) Using a .38/.357 “chamber” brush, clean the chamber end of the barrel.
- 4) Wipe the cleaning rod and using a dry patch, swab the bore (changing patches as necessary) until patches come out clean.
- 5) Inspect the bore to ensure it is clean and free of obstruction.
- 6) All other parts and the outside of the barrel should be cleaned with a solvent soaked cloth, and wiped with an oily cloth if gun is to be stored.

NOTE: In very cold climates, use special low temperature lubricants or dry lubricants such as graphite.

LUBRICATION WARNING

Firing a pistol with oil, grease or any other material even partially obstructing the bore may result in damage to the pistol and injury to the shooter and those nearby.

Do not spray or apply lubricants directly on ammunition or a loaded magazine, or allow cartridges to rest on an oil-soaked cloth. If the powder charge of a cartridge is affected by the lubricant, it may not be ignited, but the energy from the primer may be sufficient to push the bullet into the bore where it may become lodged. Firing a subsequent bullet into the obstructed bore may damage the pistol and cause injury to the shooter and those nearby. Use lubricants properly. You are responsible for the proper care and maintenance of your firearm.

NOTE: DO NOT ALLOW GRIPS TO BECOME SOAKED IN SOLVENT OR LUBRICANT.

NOTE: The stainless steel surfaces of the pistol may discolor due to contact with certain chemicals used in curing leather. A light coating of lubricant or hard paste wax will help prevent this from occurring.

TREAT EVERY GUN AS IF IT IS LOADED...ALL THE TIME

Service / Repair

Should your firearm require adjustment or repair, it must be sent to the factory. Please call Coonan, Inc. for return instructions.

WARNINGS TO PARTS PURCHASERS

It is the purchaser's responsibility to be absolutely certain that any parts ordered from the factory are correctly fitted and installed. INCORRECT FITTING OR INSTALLATION OF PARTS MAY RESULT IN A DANGEROUS MALFUNCTION, DAMAGE TO THE FIREARM, AND INJURY TO THE SHOOTER AND OTHER PERSONS. The purchaser and installer of parts must accept full responsibility for the correct adjustment and functioning of the pistol after such installation.

Specifications

Weight: 42.0 pz./1.19 kg-empty with magazine

48.0 pz/1.36 kg- loaded with 7 rounds

Length: 8.3 in/210.8mm overall

Width: 1.3in/33 mm maximum

Height: 5.6 in/142.2 mm

Barrel Length: 5.0 in/127 mm

Capacity: 8 rounds (7/Magazine + 1/Chamber)

Specifications subject to change without notice.

Warranty

WHY NO WARRANTY CARD HAS BEEN PACKED WITH THIS FIREARM

The Magnuson-Moss Act (Public Law 93-637) does not require any seller or manufacturer of a consumer product to give a written warranty. It does provide that if a written warranty is given, it must be designated as "limited" or as "full" and sets minimum standards for a "full" warranty.

Coonan, Inc. has elected not to provide any written warranty, either "limited" or "full", rather than to attempt to comply with the provisions of the Magnuson-Moss Act and the regulations issued thereunder.

There are certain implied warranties under state law with respect to sales of consumer goods. As the extent and interpretation of these implied warranties varies from state to state, you should refer to your state law.

Coonan, Inc. wishes to assure its customers of its continued interest in providing service to owners of Coonan firearms.

NOTE: If this pistol is sold or transferred this manual should accompany it.

COONAN .357 MAGNUM AUTOMATIC is a registered trademark. The entire contents of this manual are copyrighted (2010) by Coonan, Inc. and may not be reproduced without their written consent.

Replacement Part Numbers List

NOTE: It is the purchaser's responsibility to be absolutely certain that any parts ordered from the factory are correctly fitted and installed. Firearms are complicated mechanisms and improper fitting of parts may result in death,

Injury or a malfunction or damage to the weapon. The purchaser and installer of parts must accept full responsibility for the correct adjustment and functioning of the pistol after such installation. If you have any doubts contact a gunsmith or contact Coonan Inc.

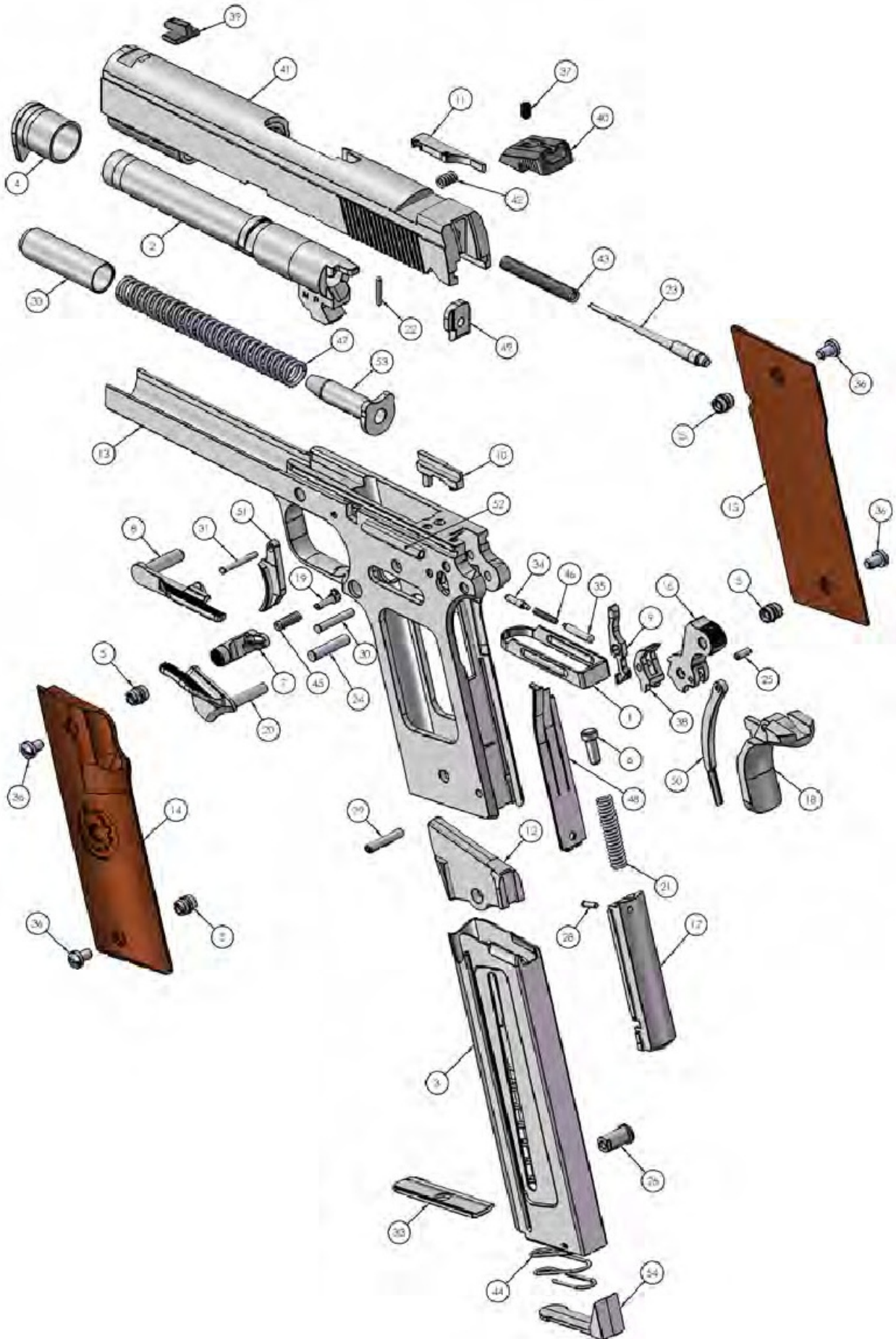
Please use complete part number and description when ordering.

Example: 700011-000, Barrel.

Item	Description	Part Number
1	Bar, Trigger	700051-000
2	Barrel	700011-000
3	Body, Magazine	700060-000
4	Bushing, Barrel	700012-000
5	Bushing, Grip Screw	700058-000
6	Cap, Mainspring	700033-000
7	Catch, Magazine	700029-000
8	Catch, Slide	700047-000
9	Disconnecter	700015-000
10	Ejector	700016-000
11	Extractor	700018-000
12	Follower, Magazine	700061-000
13	Frame	700055-000
14	Grip, Left Hand	700057-000
15	Grip, Right Hand	700056-000
16	Hammer	700025-000
17	Housing, Mainspring	700035-000
18	Lock, Grip	700024-000
19	Lock, Magazine Catch	700030-000
20	Lock, Thumb	700048-000
21	Mainspring	700032-000
22	Pin, Extractor	700019-000
23	Pin, Firing	700021-000
24	Pin, Hammer	700026-000
25	Pin, Hammer Strut	700028-000
26	Pin, Magazine Follower	700062-000
27	Pin, Magazine Loading	700066-000
28	Pin, Mainspring Cap	700034-000
29	Pin, Mainspring Housing	700036-000
30	Pin, Sear	700045-000

Item	Description	Part Number
31	Pin, Trigger	700050-000
32	Plate, Magazine Floor	700065-000
33	Plug, Recoil Spring	700037-000
34	Plunger, Slide Stop	700042-000
35	Plunger, Thumb Lock	700043-000
36	Screw, Grip	700059-000
37	Screw, Rear Sight	700067-000
38	Sear	700044-000
39	Sight, Front	500003-000
40	Sight, Rear	500004-000
41	Slide	700054-000
42	Spring, Extractor	700020-000
43	Spring, Firing Pin	700023-000
44	Spring, Magazine	700064-000
45	Spring, Magazine Catch	700031-000
46	Spring, Plunger Tube	700041-000
47	Spring, Recoil	700039-000
48	Spring, Sear	700046-000
49	Stop, Firing Pin	700022-000
50	Strut, Hammer	700027-000
51	Trigger	700049-000
52	Tube, Plunger	700040-000
53	Tube, Recoil Absorber	700038-000
54	Floor Plate Retainer	700063-000

Expanded Weapon Illustration



TREAT EVERY GUN AS IF IT IS LOADED...ALL THE TIME

Basic Rules of Safe Firearms Handling*

We believe Americans have a right to purchase and use firearms for lawful purposes. The private ownership of firearms in America is traditional, but that ownership imposes the responsibility on the gun owner to use his firearms in

a way that will ensure his own safety and that of others. When firearms are used in a safe and responsible manner, they are a great source of pleasure and satisfaction, and represent a fundamental part of our personal liberty. Firearms do not cause accidents! Firearms accidents are almost always found to have been the result of a carelessness or ignorance on the part of the shooter of the basic rules of safe gun handling.

The following rules must be observed by gun users at all times. Safe gun handling is not just desirable, it is absolutely essential to the continuation of gun ownership and sport shooting as we know it today.

- 1) **LEARN THE MECHANICAL AND HANDLING CHARACTERISTICS OF THE FIREARM YOU ARE USING.** Not all firearms are the same. The method of carrying and handling firearms varies in accordance with the mechanical provisions for avoiding accidental discharge and various proper procedures for loading and unloading. No person should handle any firearms without first having thoroughly familiarized himself with the particular type of firearm he is using, and with safe gun handling in general
- 2) **ALWAYS KEEP THE MUZZLE POINTED IN A SAFE DIRECTION.** Be sure of the bullet stop behind your target, even when dry-firing. Never let the muzzle of a firearm point at any part of your body or at another person. This is particularly important when loading or unloading a firearm. In the event of accidental discharge, no injury can occur as long as the muzzle is pointing in a safe direction. A safe direction means a direction that will not permit a discharged bullet to strike a person, or to strike an object from which the bullet can ricochet. A safe direction must take into account the fact that a bullet may penetrate a wall, ceiling, floor, window, etc, and strike a person or damage property. Make it a habit to know exactly where the muzzle of your gun is pointing whenever you handle it, and be sure that you are always in control of the direction in which the muzzle pointing even if you fall or stumble.
- 3) **FIREARMS SHOULD BE UNLOADED WHEN NOT IN USE.** Firearms should be loaded only when you are in the field or on the target range or shooting area, ready to shoot. Firearms and ammunition should be securely locked in racks or cabinets when not in use. Ammunition should be safely stored separate from firearms. Store your firearms out of sight of visitors and children. It is the gun owners responsibility to be certain that children and persons unfamiliar with firearms cannot gain access to firearms or ammunition.

TREAT EVERY GUN AS IF IT IS LOADED...ALL THE TIME

Basic Rules of Safe Firearms Handling*

- 4) BE SURE THE BARREL IS CLEAR OF OBSTRUCTIONS BEFORE SHOOTING. Even a bit of mush, snow or excess lubrication oil or grease in the bore may cause the barrel to bulge or even burst on firing, and cause injury to the shooter and bystanders. Be sure you are using ammunition of the proper caliber and loading for the gun you are using. If the report or recoil on firing seems weak or doesn't seem quite right, CEASE FIRING IMMEDIATELY and check to be sure no obstruction has become lodged in the barrel.
- 5) BE SURE OF YOUR TARGET BEFORE YOU SHOOT. Don't shoot unless you know exactly where your bullet is going to strike. Be sure of the bullet stop behind your target, even when dry-firing with an unloaded gun. If you are in the field hunting, do not fire at a movement or noise. Take the time to be absolutely certain of your target before you pull the trigger.
- 6) WEAR PROTECTIVE EYEWEAR AND HEARING PROTECTORS WHEN YOU SHOOT. All shooters should wear shooting glasses or protective eyewear and some form of hearing protectors when shooting. Exposure to shooting noise can damage hearing. Adequate vision protection when shooting is essential.
- 7) NEVER CLIMB A TREE OR FENCE WITH A LOADED FIREARM. Put the firearm down carefully before climbing a fence, and unload it before climbing or descending a tree or jumping over a ditch or other obstruction. Never pull or push a loaded firearm toward yourself or another person. When in doubt, unload your gun!
- 8) DON'T SHOOT AT A HARD SURFACE, OR AT WATER. Bullets can glance off many surfaces, like rocks or the surface of water, and travel in unpredictable directions with considerable velocity.
- 9) NEVER TRANSPORT A LOADED FIREARM. Firearms should always be unloaded before being placed in a vehicle. A suitable carrying case or scabbard should be used to carry a firearm to and from the shooting area.
- 10) AVOID ALCOHOLIC BEVERAGES WHEN SHOOTING. Don't drink until the day's shooting is over. Handling firearms while under the influence of alcohol in any form constitutes a criminal disregard for the safety of others.

*Reprinted courtesy of Sturm Ruger & Company, Inc.

Notes

Notes

A close-up photograph of a handgun's slide and magazine. The slide is metallic and features a serrated edge. The magazine is partially inserted into the magazine well. The background is dark and out of focus, showing a wooden surface.

Coonan Inc.
2033 105th Ave. NE
Blaine, MN 55449
Phone: 763.786.1720
Fax: 763.205.2564
info@coonaninc.com